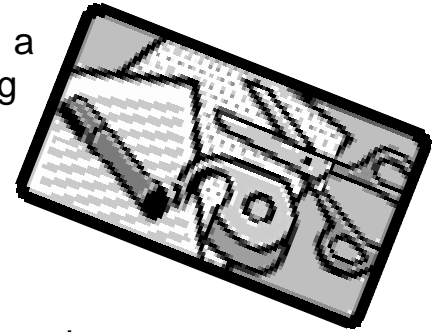




SCRAP SCULPTURE

What is the workshop about?

This workshop is about getting creative: it's great fun, a little bit messy and requires lots of imagination. Young people work together in small groups to make sculptures out of recycled materials that you collect in advance. You can pick from any of the following themes for the sculptures or come up with one of your own:



- Create a 'human sculpture' taller than the tallest person in your group
 - Create a 'vehicle of the future' for humans to use
- Create a sculpture of a 'robot of the future' that will be able to help humans in their day to day life



Outcomes for young people:

- Having fun working with other people to create a sculpture using communication skills and decision making (Enjoying and Achieving)
 - Being creative and using imagination
 - Learning and developing skills in a group situation such as developing an idea making a design come to life (Make a Positive Contribution)

WHAT YOU NEED TO PROVIDE

LOTS OF DIFFERENT MATERIALS TO MAKE THE SCULPTURE WITH:

E.g. cardboard boxes, old magazines and newspapers, carrier bags, wrapping paper, ribbons, wool, string etc

STICKY TAPE (lots of sellotape and masking tape)

HEAVY DUTY STAPLER

GLUE

PIPE CLEANERS

OLD PIECES OF FABRIC / ITEMS OF CLOTHING

LOTS OF PAIRS OF SCISSORS

